

PARTS MANUAL

Models

DY23-2 / DY27-2

ENGINE

PUB-EP5754A
Rev. 07/00

Robin America, Inc.

940 Lively Blvd. • Wood Dale, IL 60191 • Phone: 630-350-8200 • Fax: 630-350-8212
e-mail: sales@robinamerica.com • www.robinamerica.com

© Copyright 2000 Robin America, Inc.

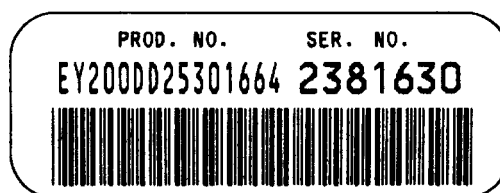
HOW TO USE THIS MANUAL

Robin engines are identified by MODEL, SPECIFICATION, and CODE NUMBER. For each model there may be many different versions called specifications. Each specification will be unique in some way. The difference may only be the paint color or it may have a different type of PTO or some other significant difference.

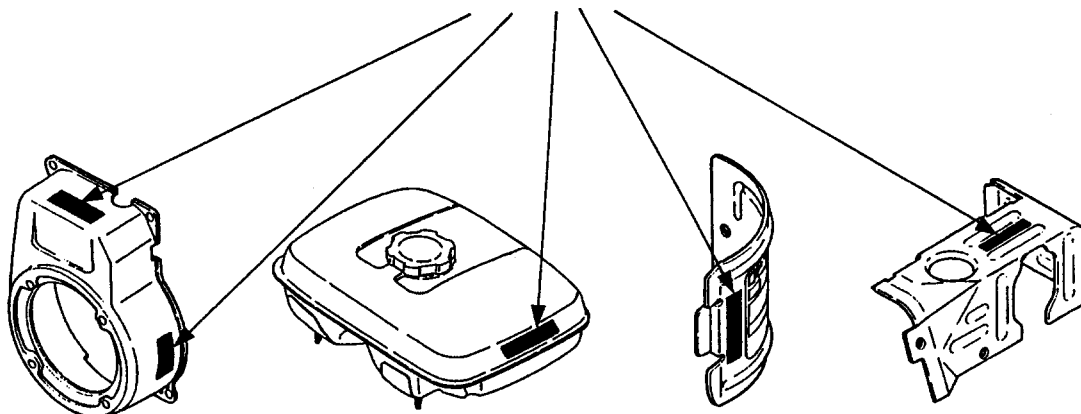
In order to identify the correct service part number, it is important to confirm the specification and code numbers for your engine. The specification and code number together are known as the PRODUCT NUMBER.

All Robin 4 cycle engines have a Product Number label similar to the label illustrated below.

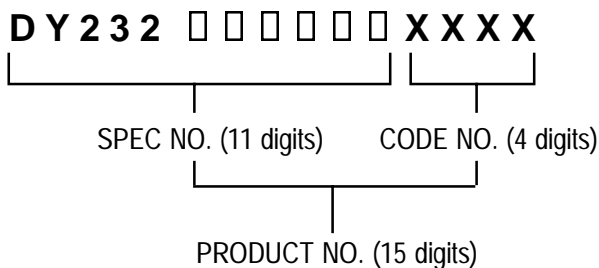
PRODUCT NUMBER LABEL



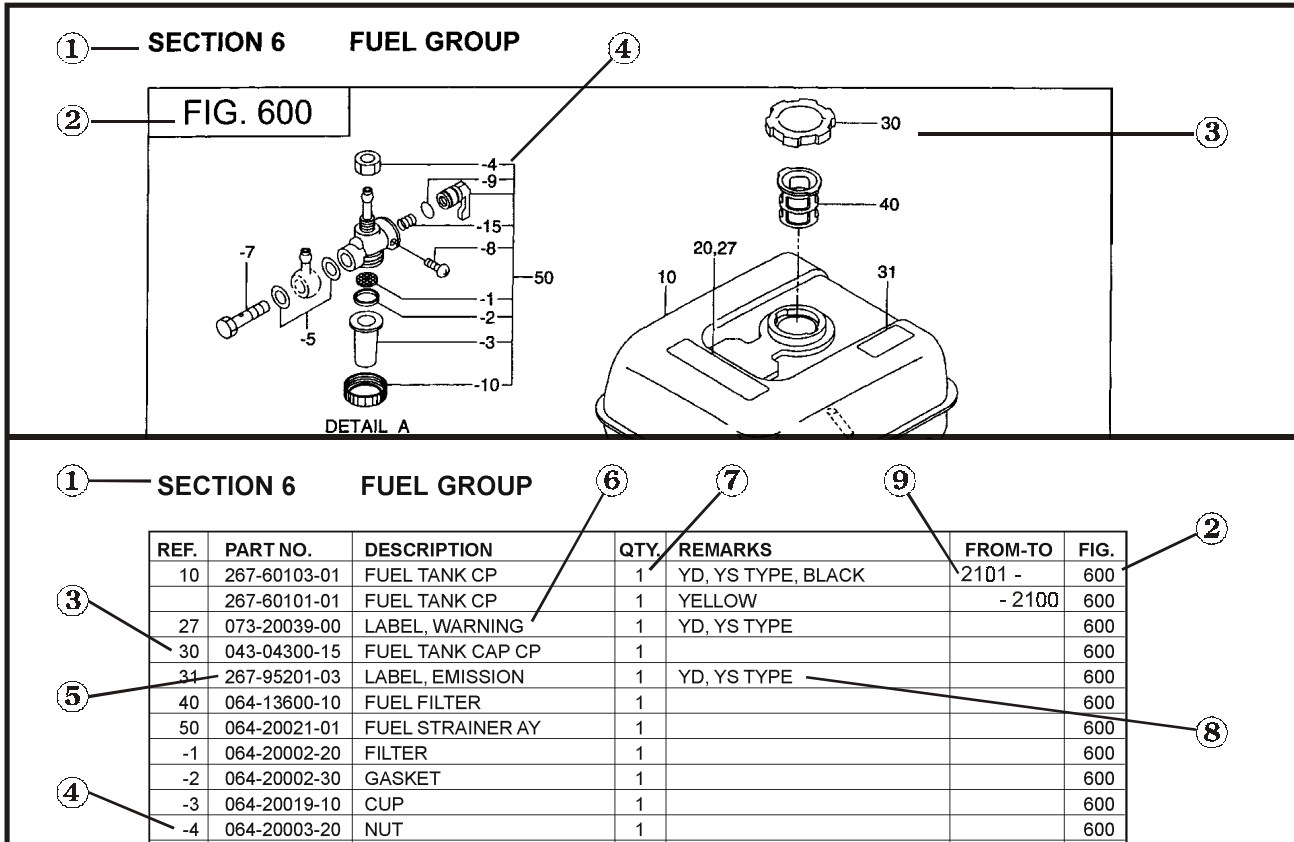
PRODUCT NUMBER LABEL LOCATIONS



The Product Number Label has a 15 digit alphanumeric string that consists of the SPECIFICATION (SPEC) number (11 digits) and the CODE number (4 digits). Please note the illustration below:



MANUAL LAYOUT



1. SECTION NAME Parts are broadly classified according to their functions. Refer to the Group Index (table of contents) for respective section name.
2. FIG. No. The FIG. number indexes the reference and part numbers to the illustration. Figure numbers that vary only in the tens place (i.e.: 700 and 710) are in a group of the same section (i.e.:Electrical Device Group).
3. REF. No . The Reference number identifies the part illustration with the corresponding part number in the part list.
4. SUBASSEMBLY SUBASSEMBLY parts of part assembly are listed below the assembly part. The subassembly part reference number is indicated by the number led by "-" such as "-1", "-2".
5. PART NUMBER It is the number assigned for sales unit. Use the PART No. when making an order.
6. DESCRIPTION It is designation of the part.
7. QTY. Quantity of each part used for each product.
8. REMARKS This gives a distinctive feature and/or a supplementary comment for the type, the specification, and the part concerned. It also shows part number(s) interchangeable for the part.
9. FROM-TO This section shows the CODE No. to indicate the history of progress in which improved parts have been introduced in the product. The FROM-TO CODE No. helps to identify PART No. being employed in the product concerned. See the examples below:
 - The part is used in the product irrespective of CODE No.
 - 2101- The part is used in the products with CODE No. of 2101 and after this number.
 - 2100 The part is used in the products with CODE No. of 2100 and before this number.

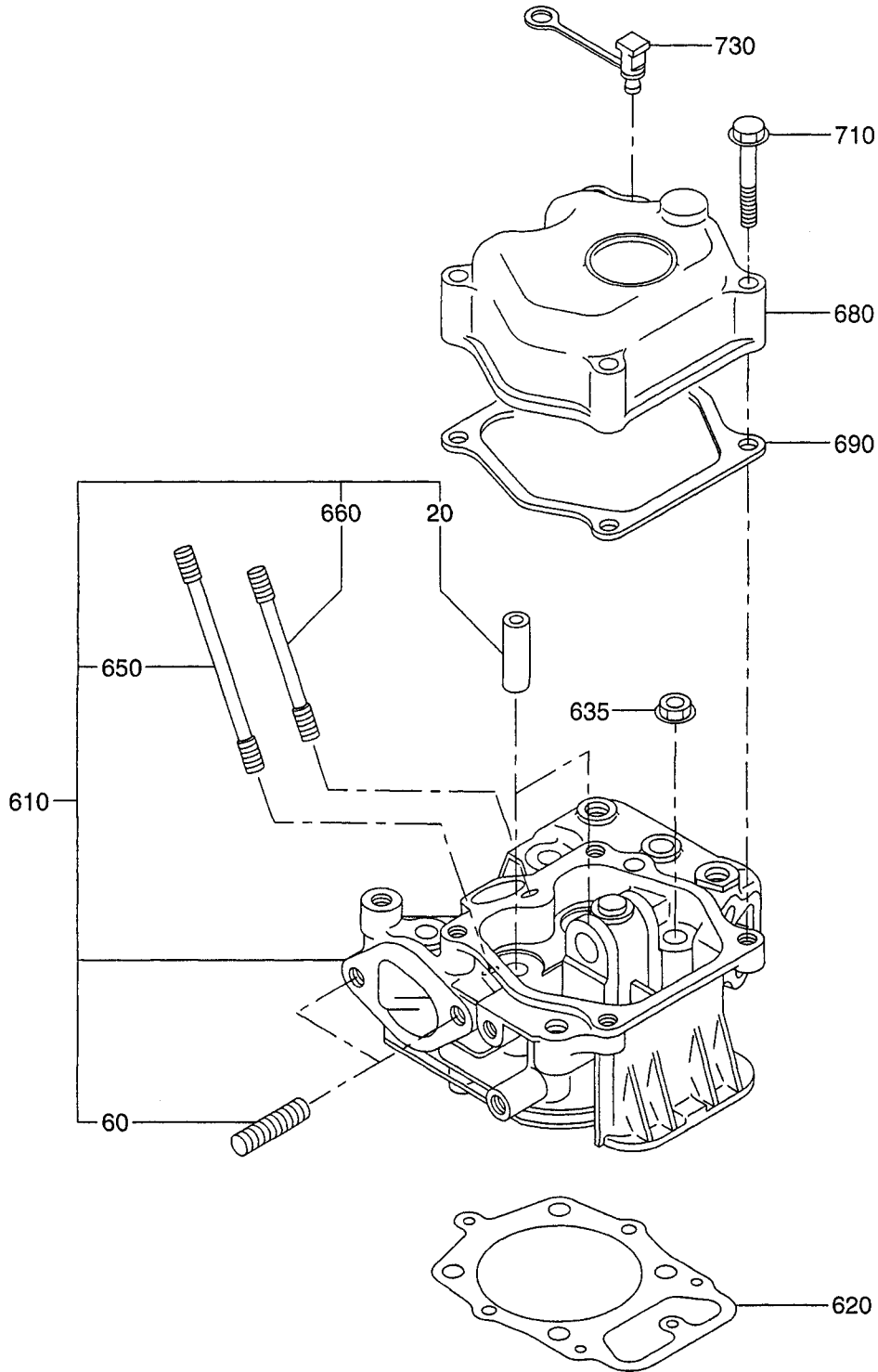
GROUP INDEX

Group Name	Page
CRANKCASE GROUP	6
CRANKSHAFT GROUP	10
INTAKE and EXHAUST GROUP	12
GOVERNOR GROUP	16
COOLING and STARTING GROUP	18
FUEL, LUBRICANT GROUP	20
ELECTRIC DEVICE GROUP	24
ACCESSORIES GROUP	28

INDEX OF DESCRIPTION SYMBOLS			
SYMBOL	DESCRIPTION	SYMBOL	DESCRIPTION
AY	ASSEMBLY	P=	PITCH (in mm)
CP	COMPLETE	P.T.O. (PTO)	POWER TAKE OFF
EX	EXPORT (from Japan)	REF.	REFERENCE
FIG.	FIGURE	R.H. (RH)	RIGHT HAND SIDE
FR.	FRONT	RR.	REAR
"	INCH	STD.	STANDARD
INCL.	INCLUDE	SW	SWITCH
~L	LITER	T=	THICKNESS (in mm)
L=	LENGTH (in. mm)	UN	UNIT
L.H. (LH)	LEFT-HAND SIDE	U.S.	UNDER SIZE
MECH	MECHANICAL	~V	VOLTAGE
NO (NON)	NONE	~W	WATT
OPT.	OPTIONAL	W/	WITH
O.S.	OVER SIZE	W/O	WITHOUT

SECTION 1 CRANKCASE GROUP

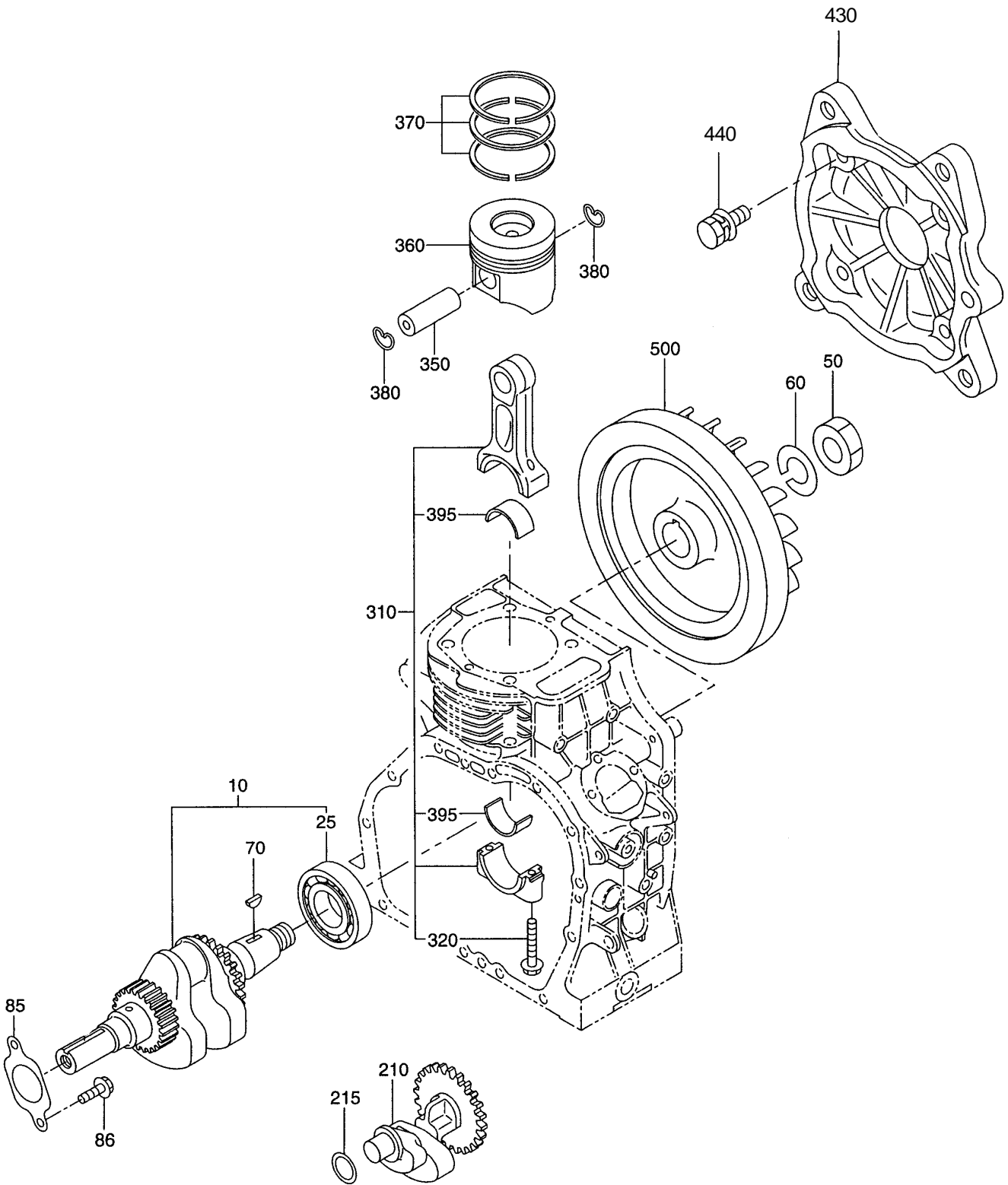
FIG. 110



SECTION 2

CRANKSHAFT GROUP

FIG. 200

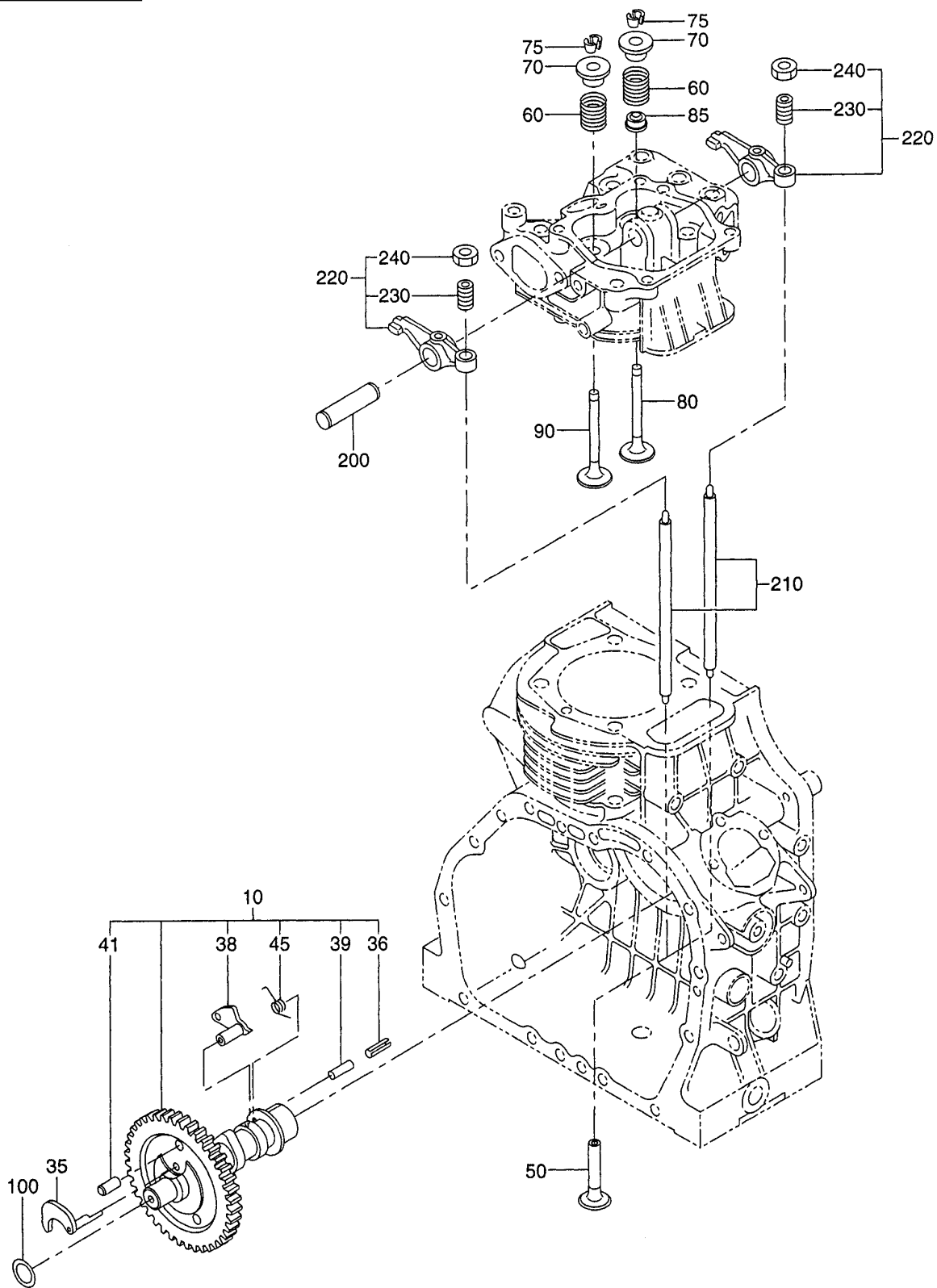


SECTION 2 CRANKSHAFT GROUP

REF.	PART NO.	DESCRIPTION	QTY.	REMARKS	FROM-TO	FIG.
10	244-20401-11	CRANKSHAFT CP	1			200
25	060-03500-20	BALL BEARING	1			200
50	002-18180-00	NUT	1			200
60	003-20180-00	SPRING WASHER	1			200
70	032-30300-10	WOODRUFF KEY	1			200
85	243-25001-03	THRUST WASHER, T=0.8	1	Select one piece only		200
	243-25002-03	THRUST WASHER, T=1.0	1	Select one piece only		200
	243-25003-03	THRUST WASHER, T=1.2	1	Select one piece only		200
86	011-00600-10	FLANGE BOLT	2			200
210	243-24301-01	BALANCER CP	1			200
215	023-01700-20	SPACER, T= 0.8	1	Select one piece only		200
	023-01700-30	SPACER, T= 1.0	1	Select one piece only		200
	023-01700-40	SPACER, T= 1.2	1	Select one piece only		200
310	243-22510-00	CONNECTING ROD AY	1			200
320	243-23002-03	CONNECTING ROD BOLT	2			200
350	243-23301-03	PISTON PIN	1			200
360	243-23401-13	PISTON	1	STD., DY23-2		200
	243-23402-13	PISTON	1	0.25mm oversize, DY23-2		200
	243-23403-13	PISTON	1	0.50mm oversize, DY23-2		200
360	244-23401-13	PISTON	1	STD., DY27-2		200
	244-23402-13	PISTON	1	0.25mm oversize, DY27-2		200
	244-23403-13	PISTON	1	0.50mm oversize, DY27-2		200
370	243-23501-27	PISTON RING SET	1	STD., DY23-2		200
	243-23502-27	PISTON RING SET	1	0.25mm oversize, DY23-2		200
	243-23503-27	PISTON RING SET	1	0.50mm oversize, DY23-2		200
370	244-23501-27	PISTON RING SET	1	STD., DY27-2		200
	244-23502-27	PISTON RING SET	1	0.25mm oversize, DY27-2		200
	244-23503-27	PISTON RING SET	1	0.50mm oversize, DY27-2		200
380	056-52000-30	CLIP	2			200
395	243-22801-03	LARGE END BEARING	2	STD.		200
	243-22802-03	LARGE END BEARING	2	0.25mm undersize		200
	243-22803-03	LARGE END BEARING	2	0.50mm undersize		200
430	244-17501-13	ADAPTER	1			200
440	001-13082-50	BOLT and WASHER AY	4			200
500	243-22410-13	FLYWHEEL	1			200

SECTION 3 INTAKE and EXHAUST GROUP

FIG. 300



SECTION 3 INTAKE and EXHAUST GROUP

FIG. 310

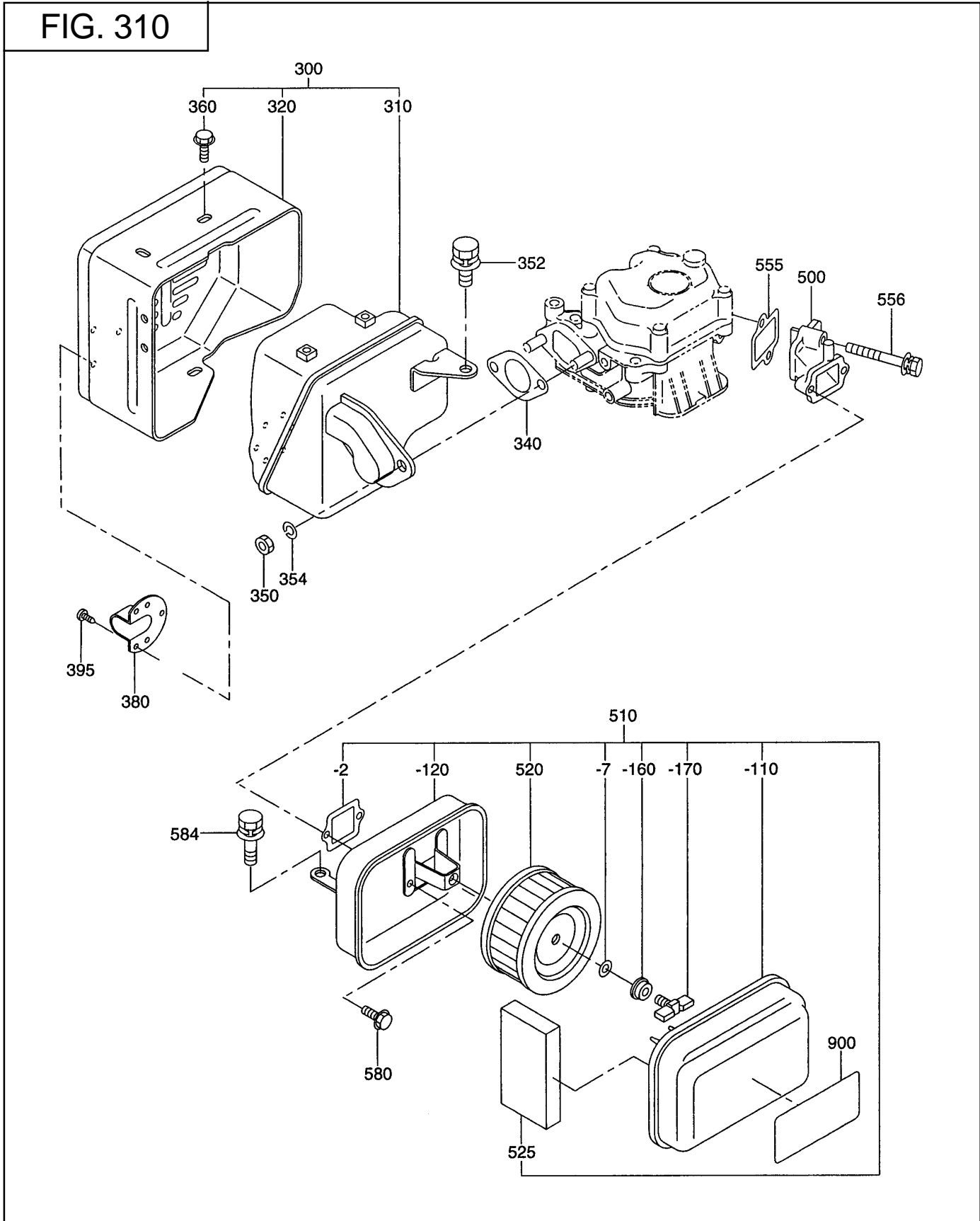
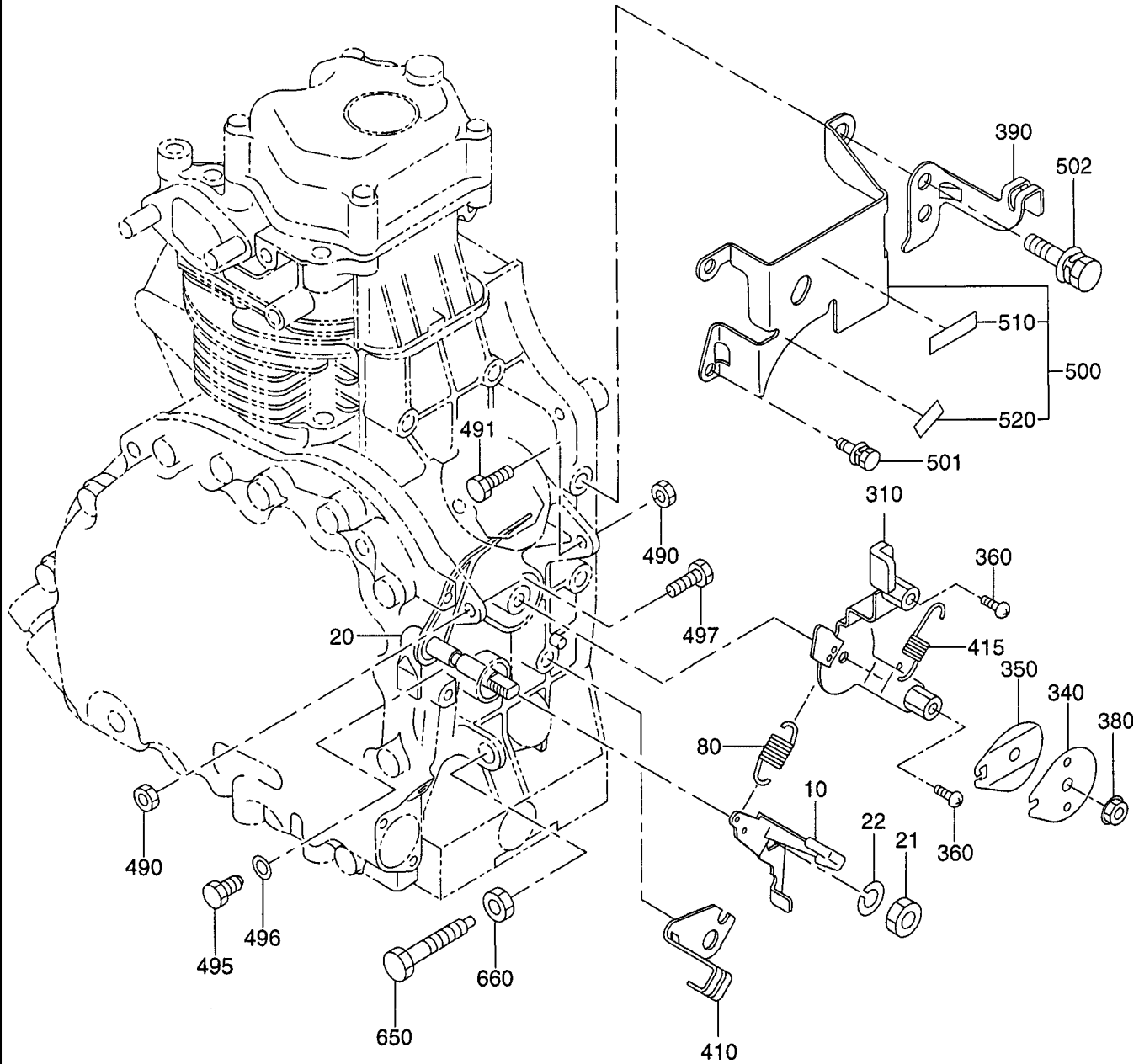
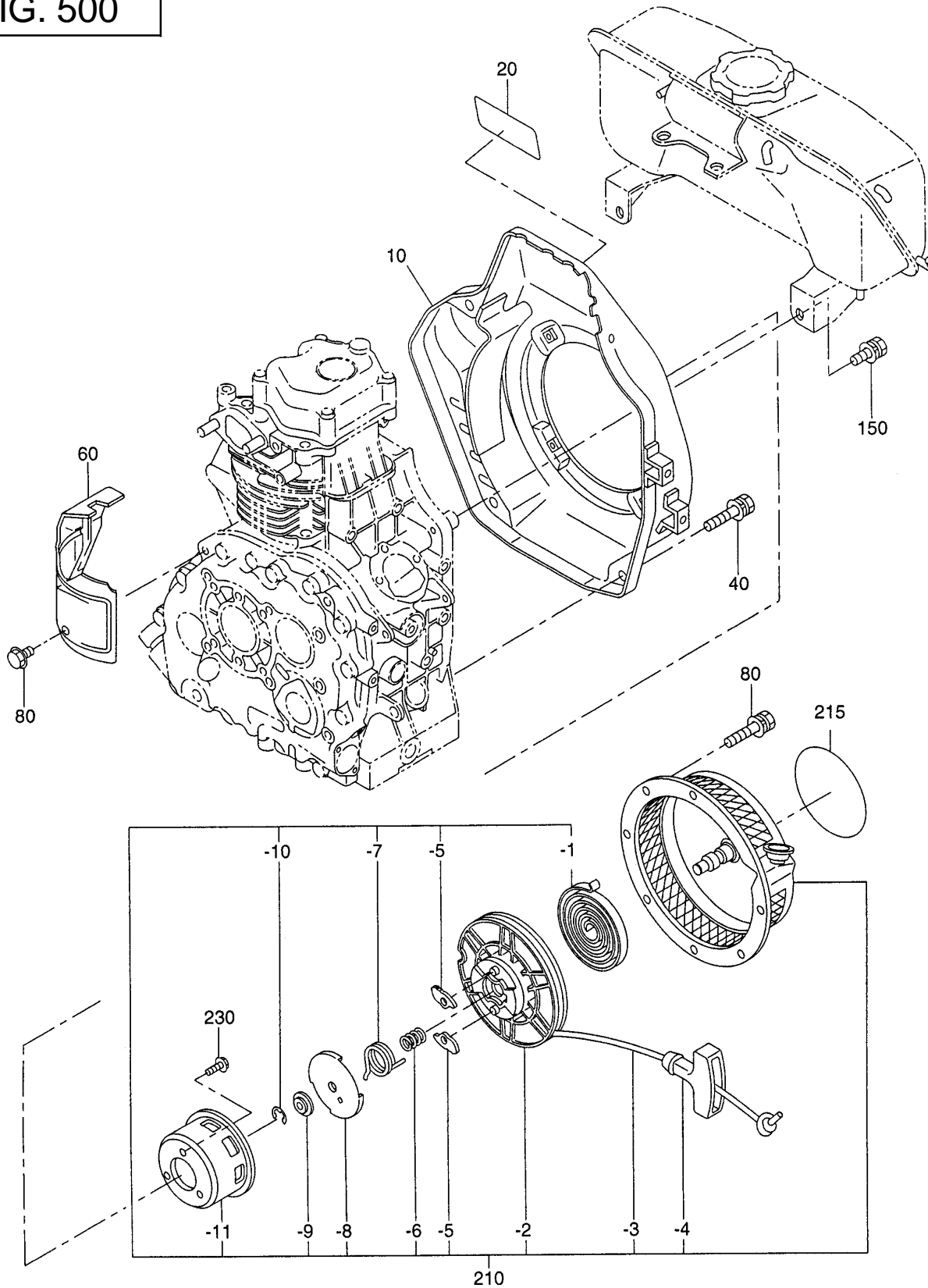


FIG. 400



SECTION 5 COOLING and STARTING GROUP

FIG. 500



SECTION 6 FUEL, LUBRICANT GROUP

FIG. 600

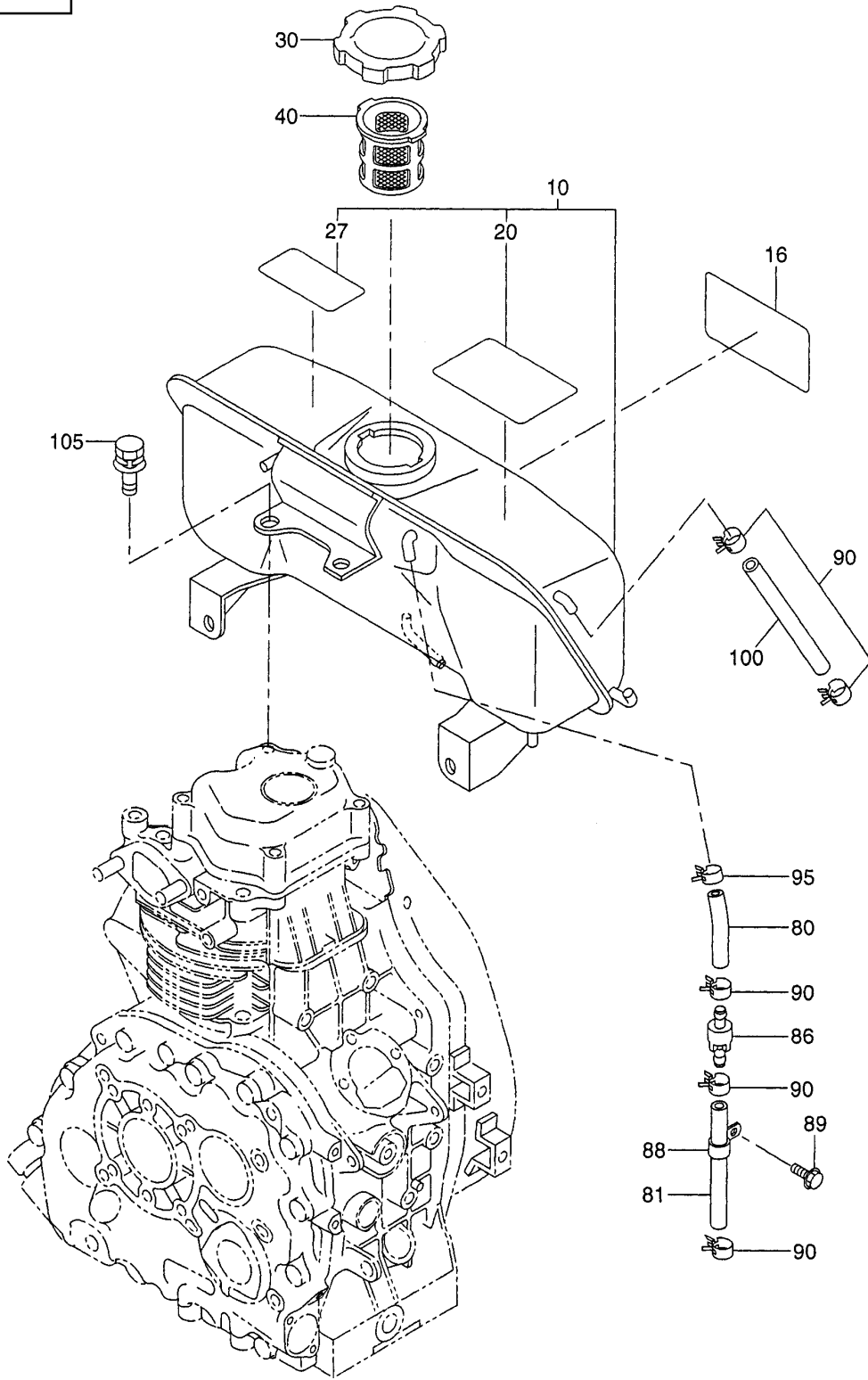
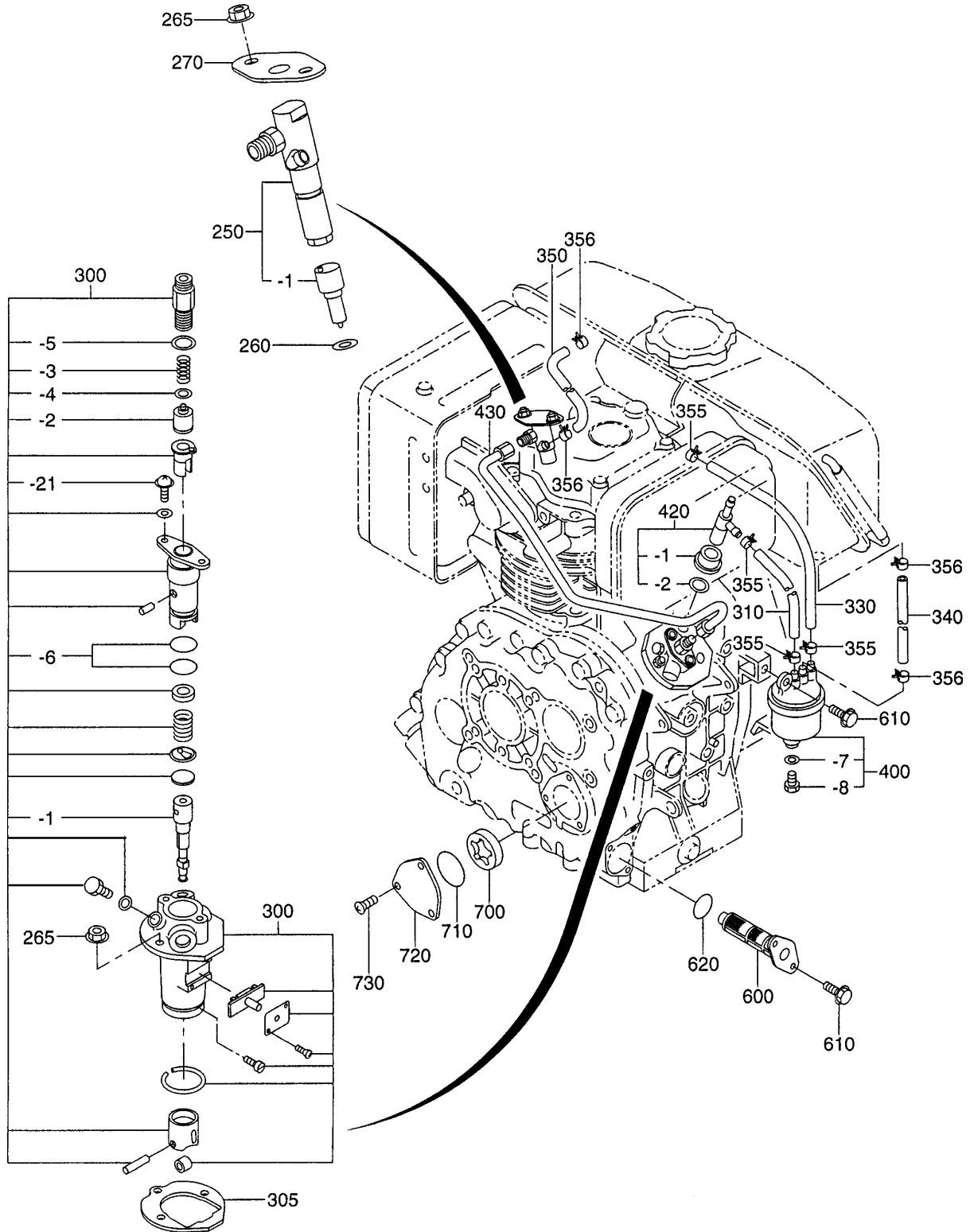
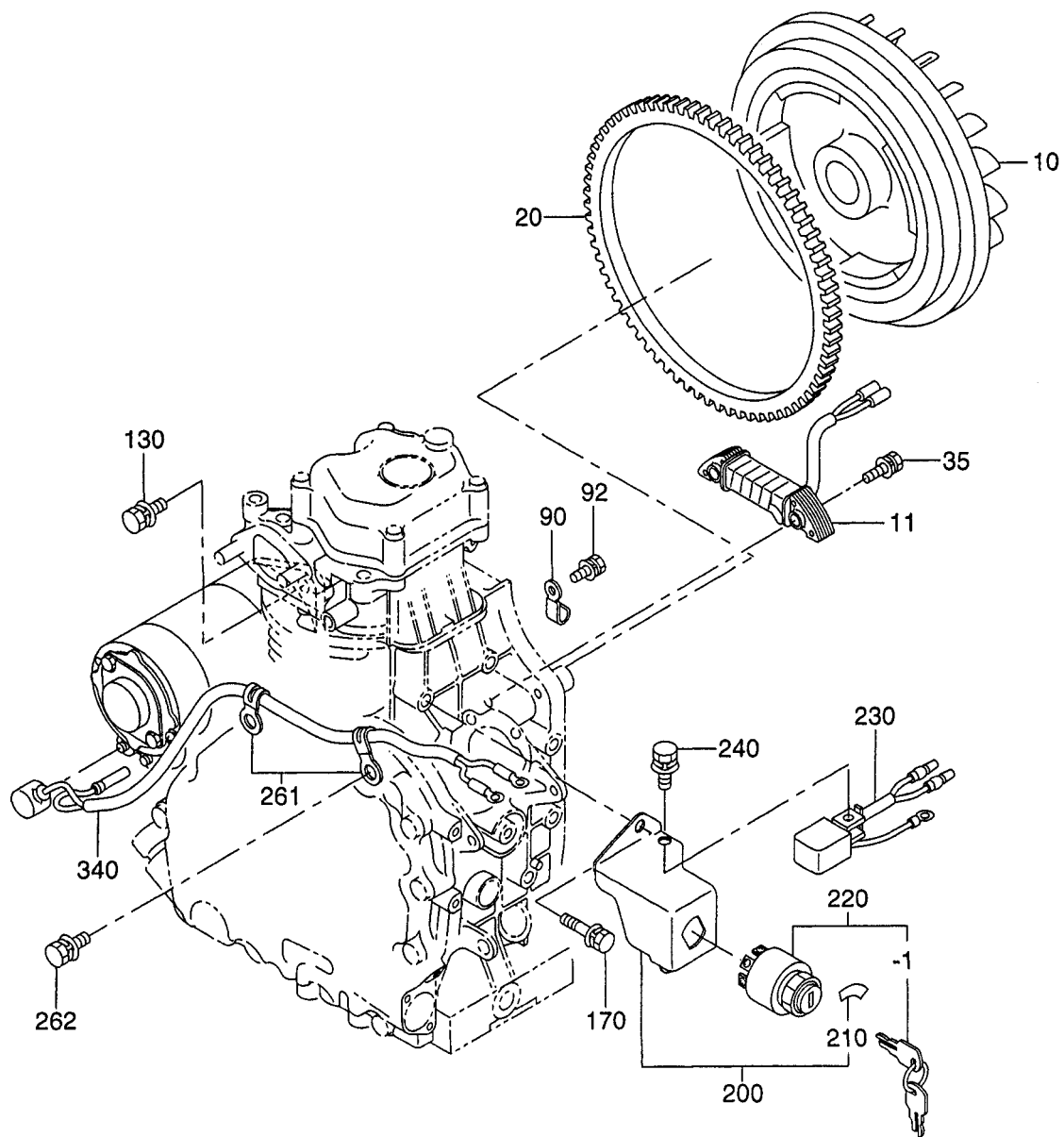


FIG. 610



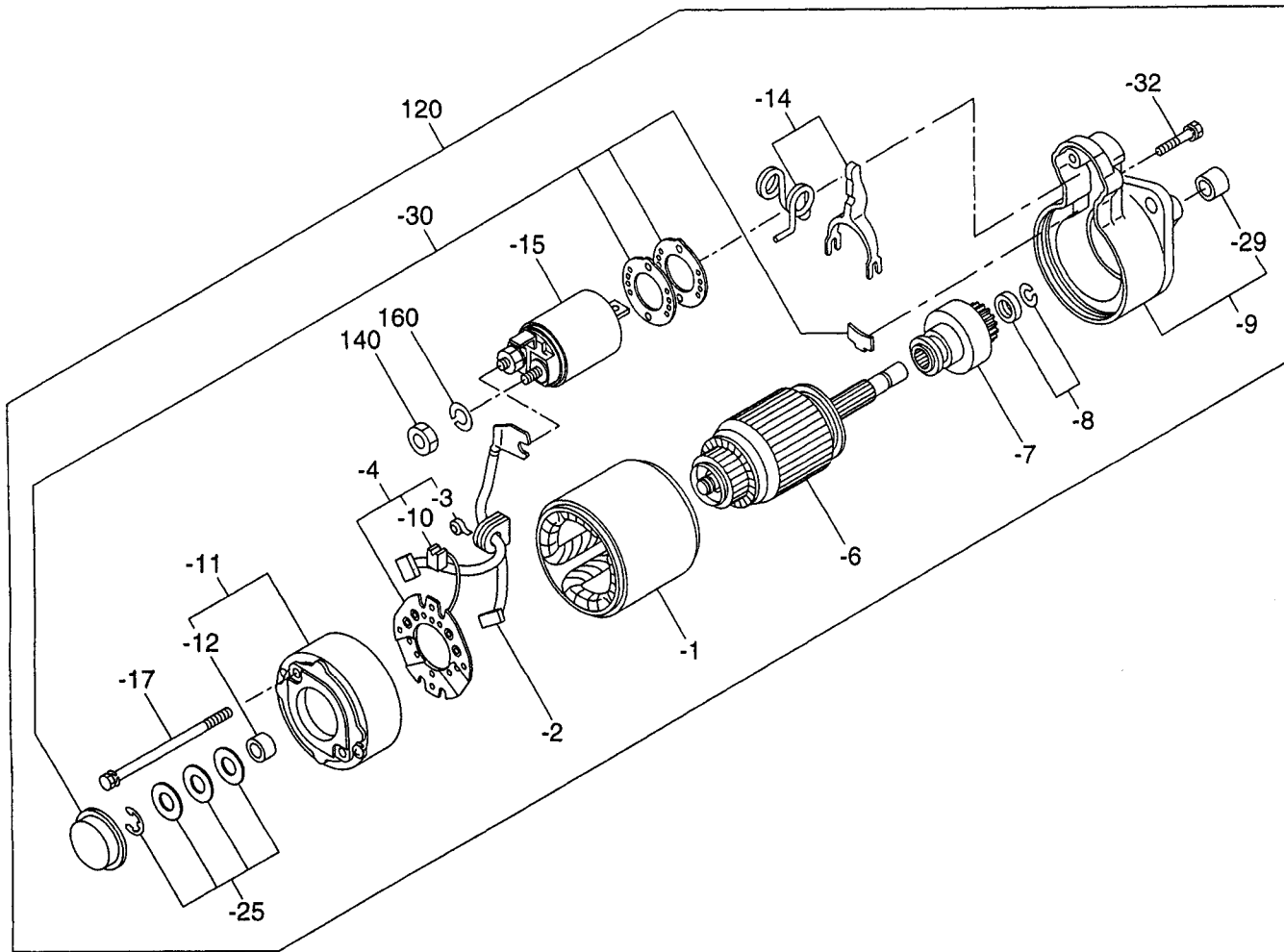
SECTION 7 ELECTRIC DEVICE GROUP

FIG. 700



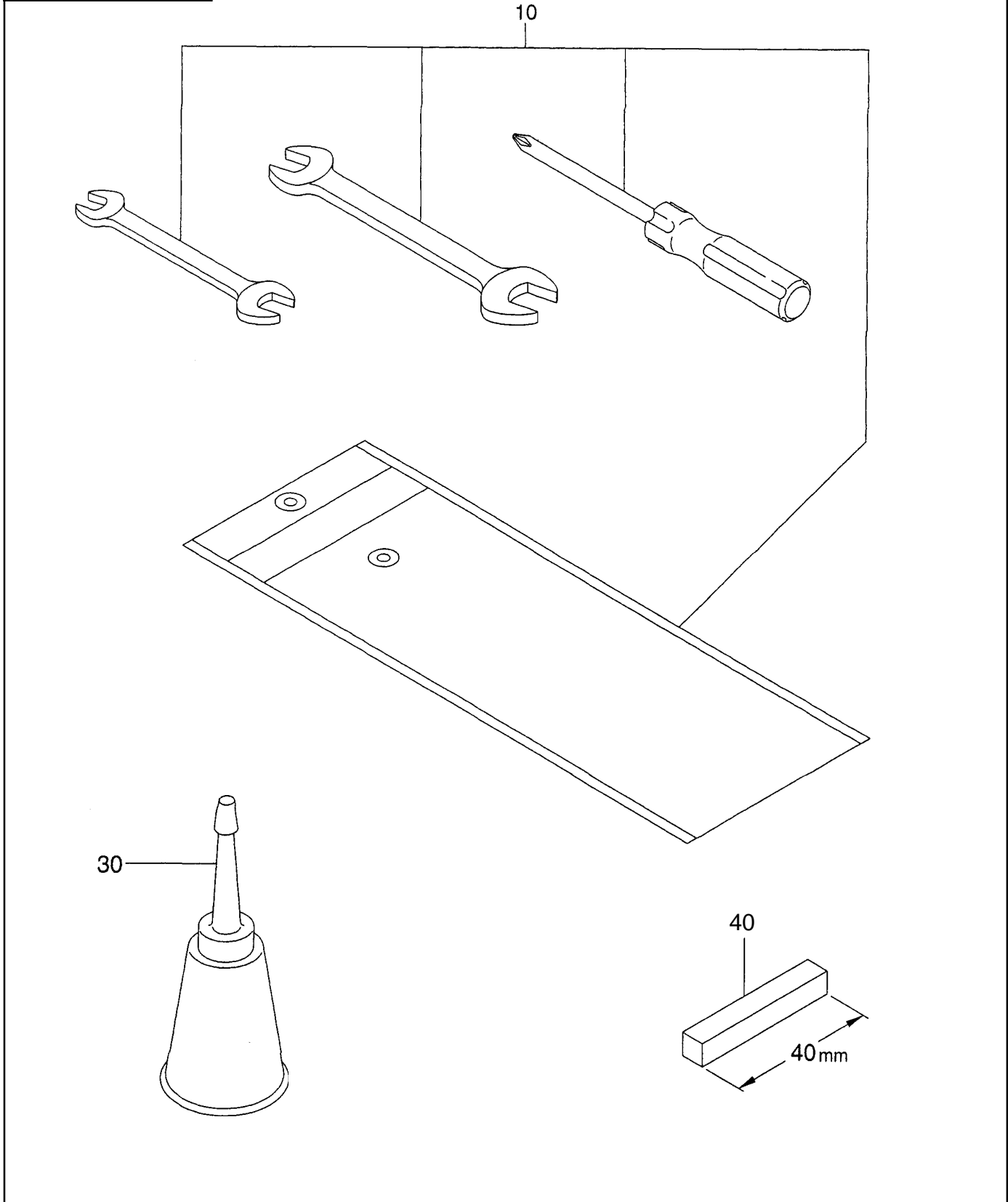
SECTION 7 ELECTRIC DEVICE GROUP - STARTER MOTOR

FIG. 710



SECTION 8 ACCESSORIES GROUP

FIG. 800



PRINTED IN THE USA